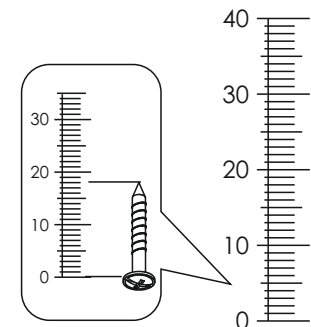
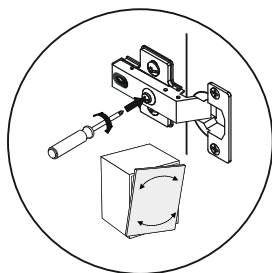
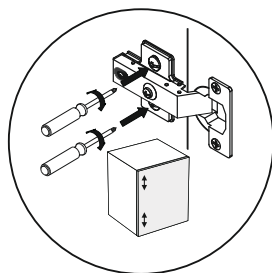
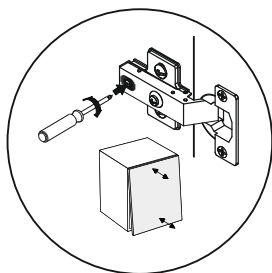
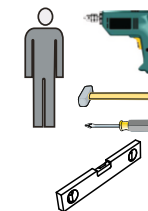


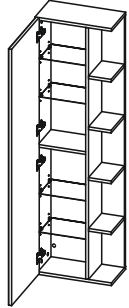
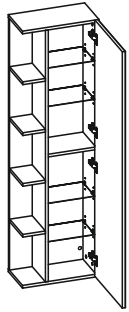
COLUMN WITH MIRROR
43 1D
166463
166464



G0	P0	P2
x 8	x 32 <small>∅ 5</small>	x 4 <small>∅ 18</small>
G71	G72	P11
x 1	x 1	x 2

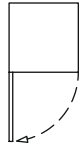


1



03R

04R

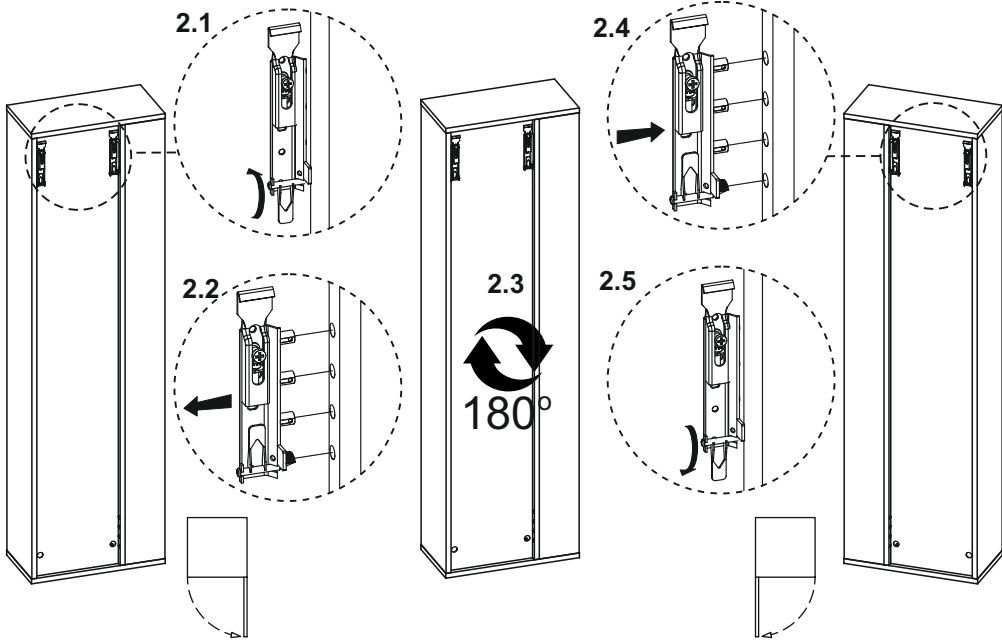


02

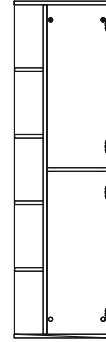
03L

04L

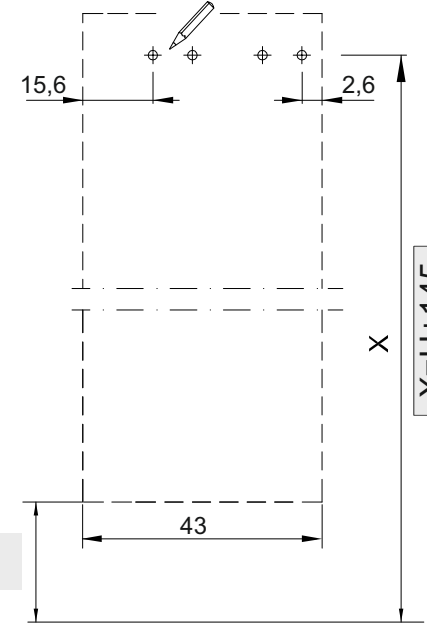
2



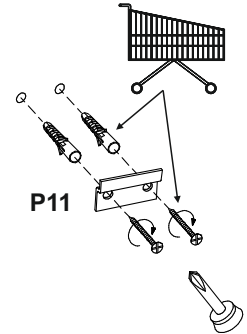
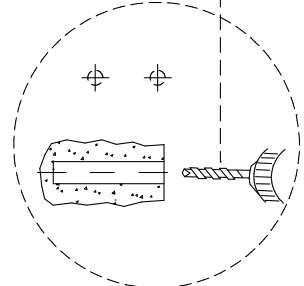
3R



H cm

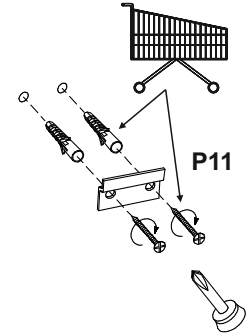
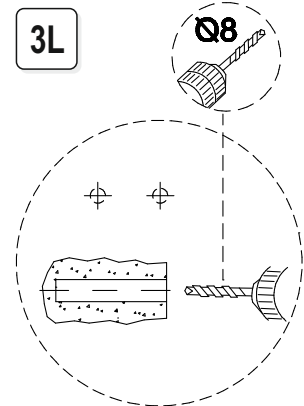


X = H + 145

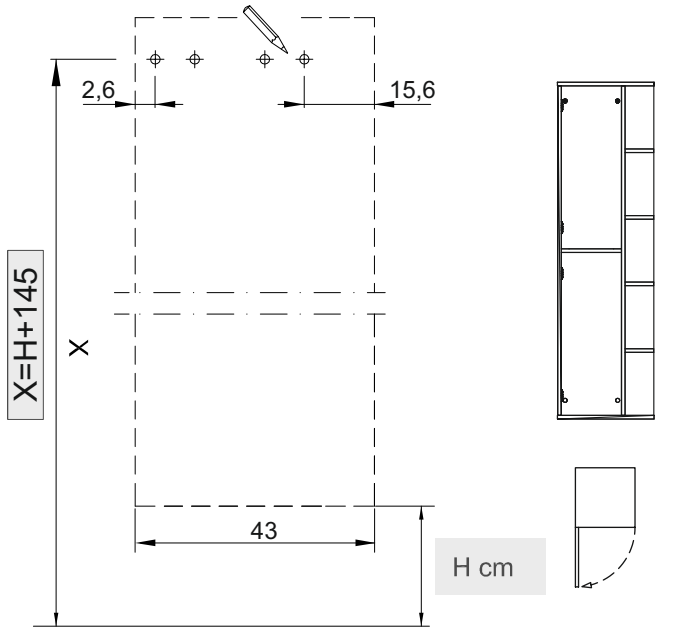


P11

3L



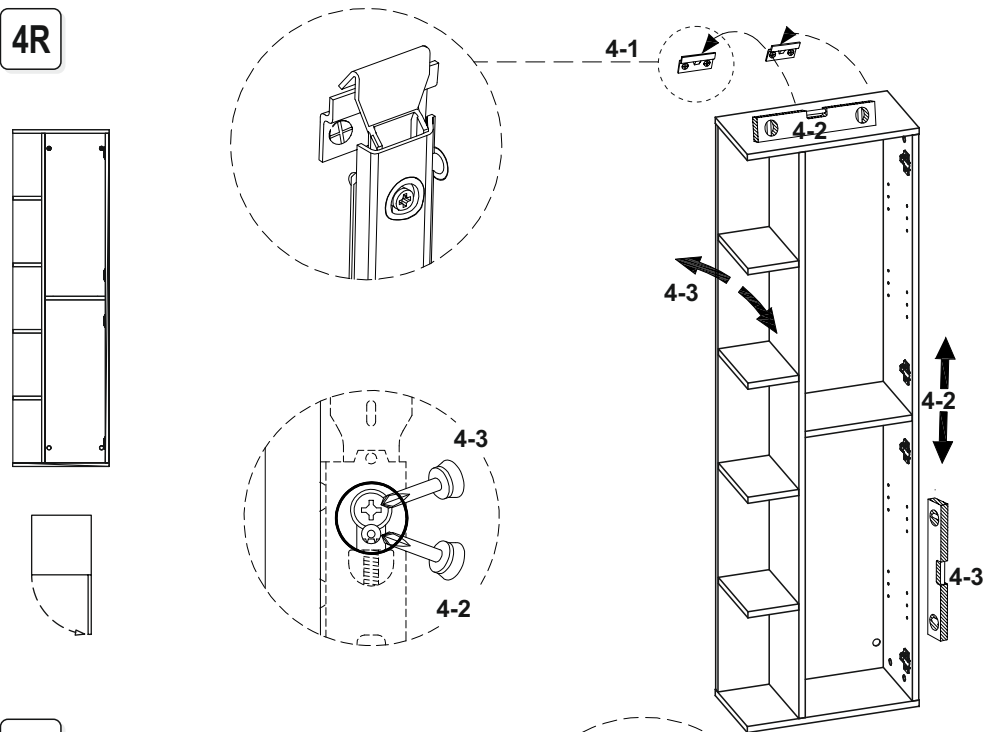
P11



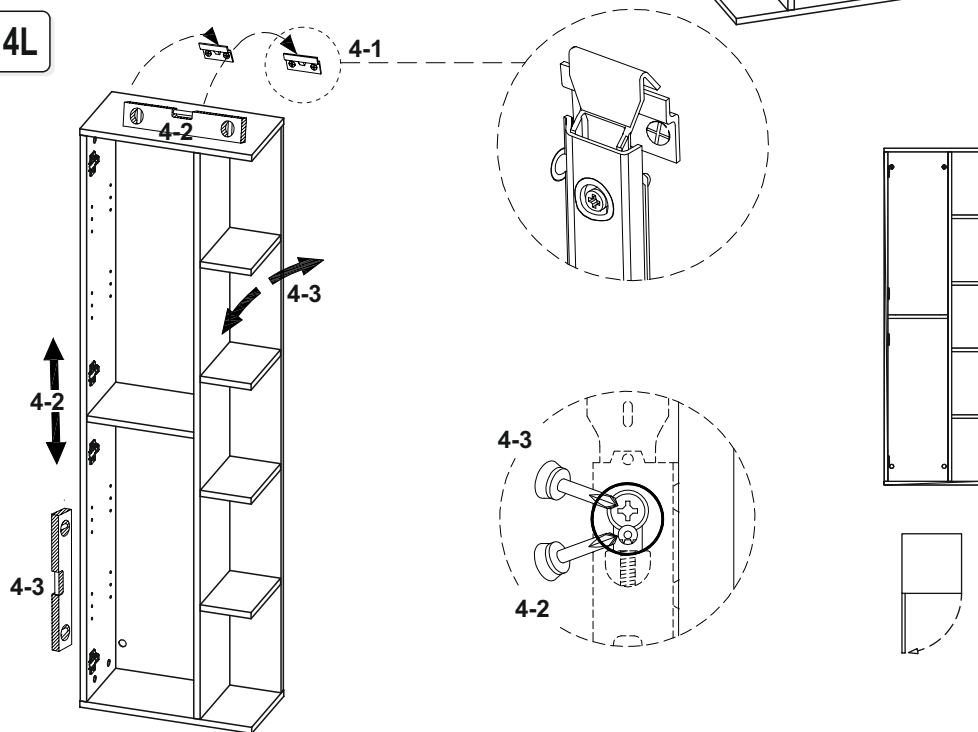
X = H + 145

H cm

4R



4L



5

